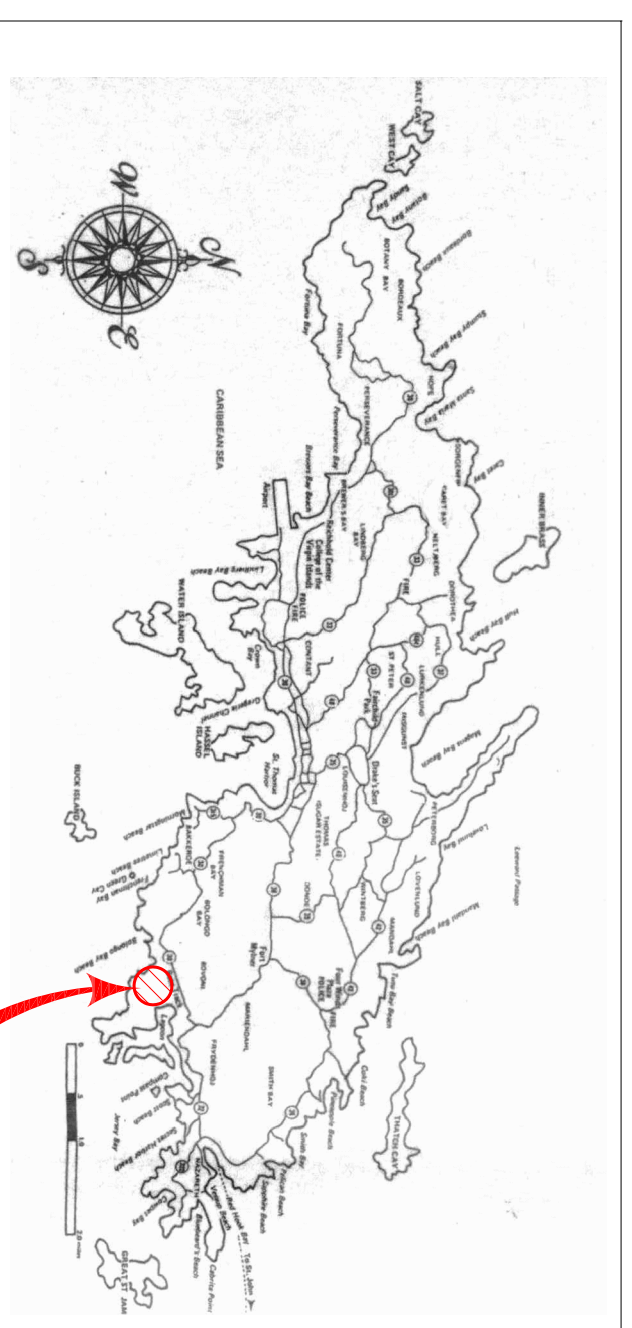


DRY MARINA LLC 17E ESTATE BOVONI ST. THOMAS, USVI

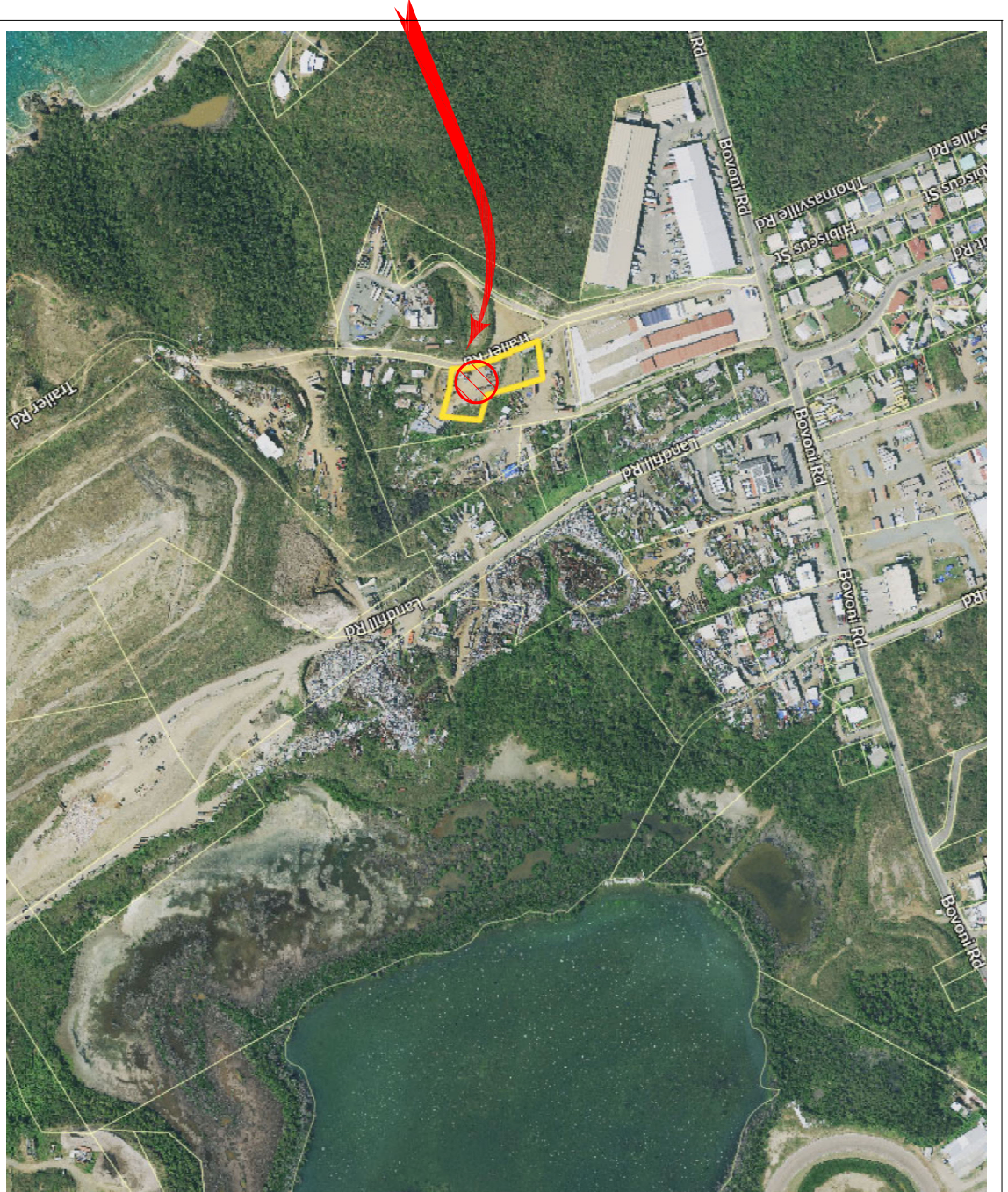
LAND DEVELOPMENT FOR USE AS STORAGE FACILITY

SHEET INDEX

PAGE C1: COVER SHEET, SITE PLAN & SITE ELEVATION
PAGE A1: FLOOR PLAN, ELEVATIONS, & DETAILS



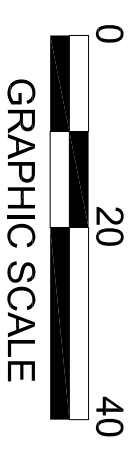
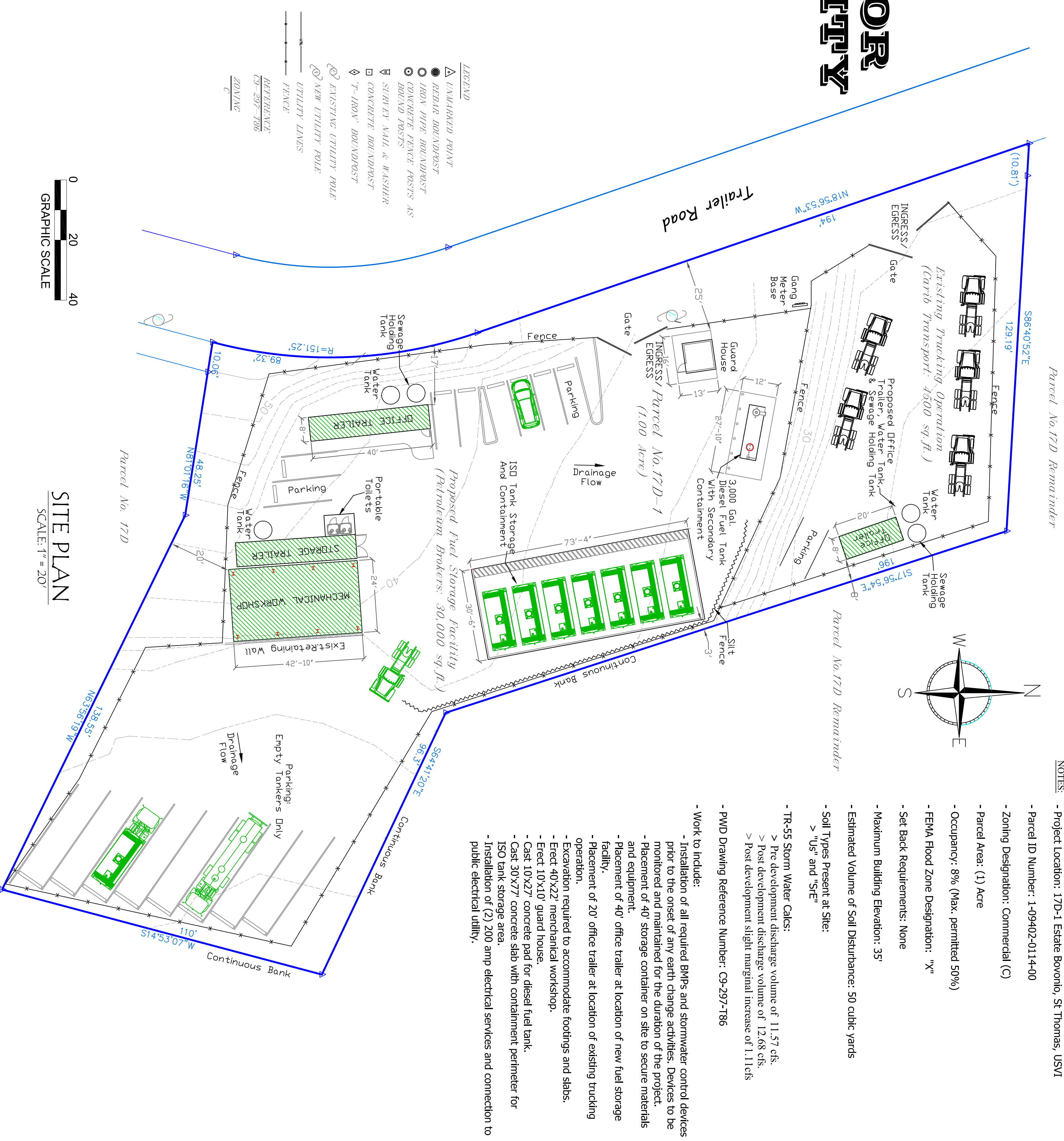
LOCATION MAP: ST. THOMAS, USVI



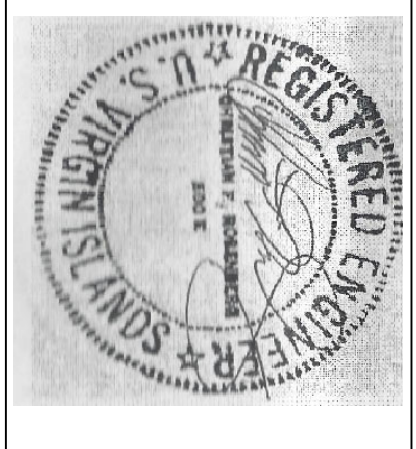
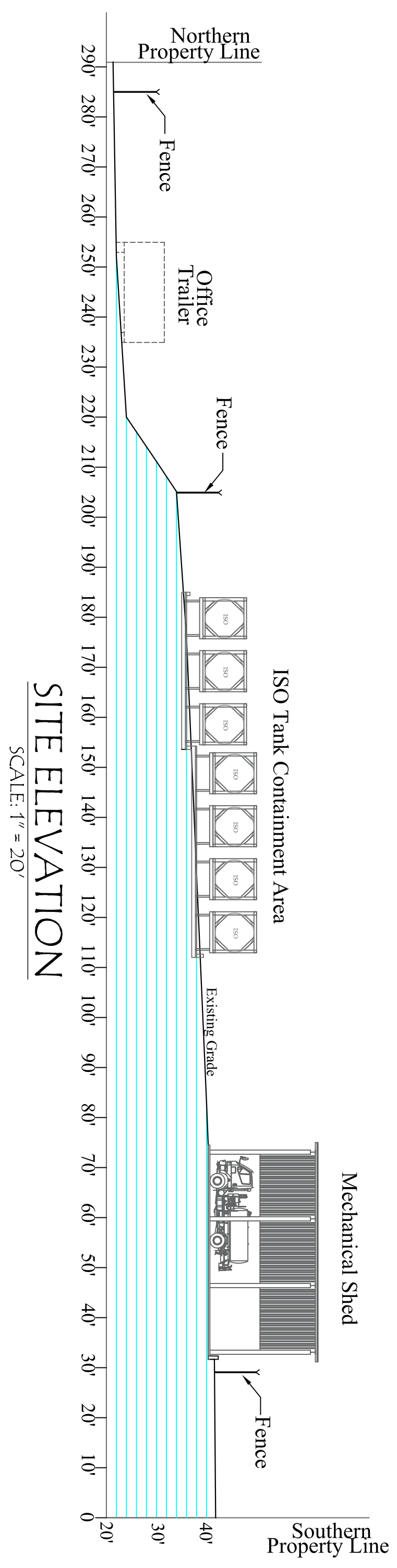
VICINITY MAP: ESTATE BOVONI



LOCATION MAP: PARCEL NO. 17D-1, ESTATE BOVONI



SITE PLAN
SCALE: 1" = 20'



ENGINEER/DRAWN BY:
C.F. ROSENBERG
7351 ESTATE BOVONI,
ST. THOMAS, VI 00802
340-779-2222
(LICENSE # 500-E)

PROJECT TITLE:
**DRY MARINA, LLC
STORAGE
FACILITY**

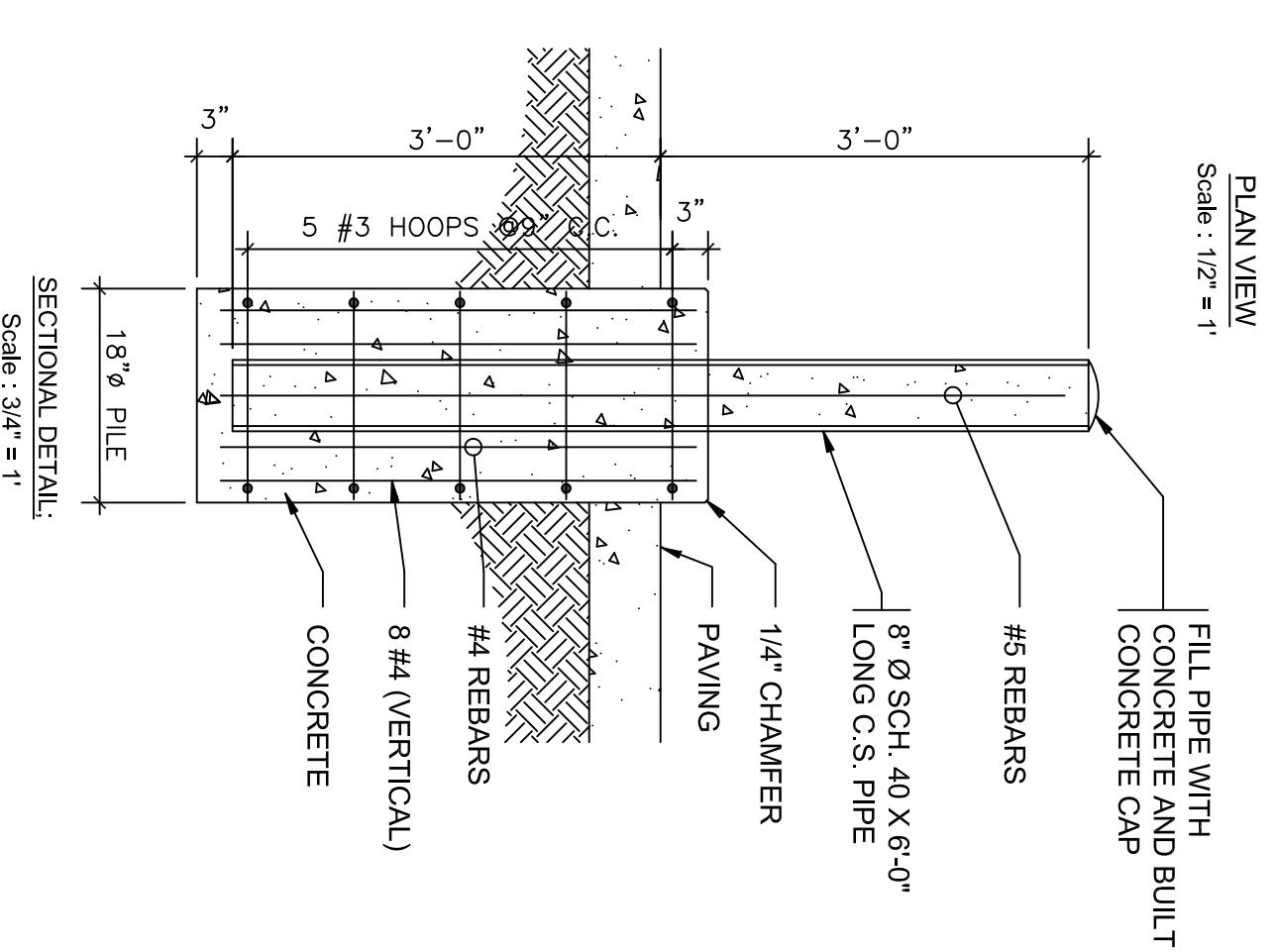
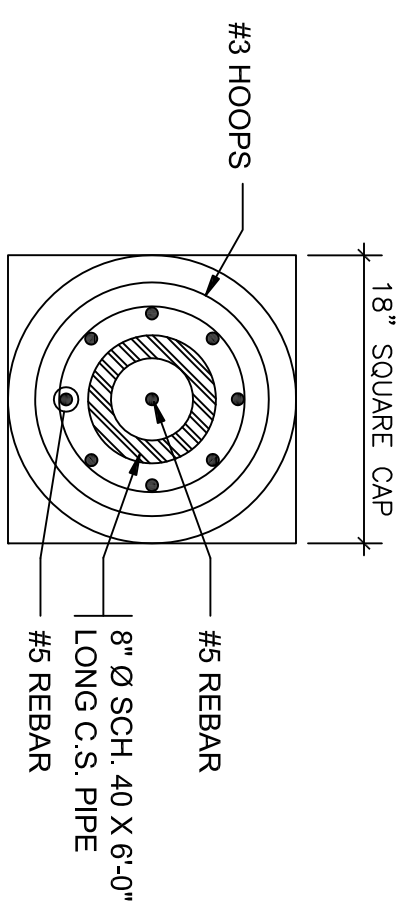
LOCATION:
17D-1 ESTATE BOVONI
NO.1&2 FRENCHMAN'S BAY
QUARTER
ST. THOMAS, USVI

DRAWING TITLE:
SITE PLAN

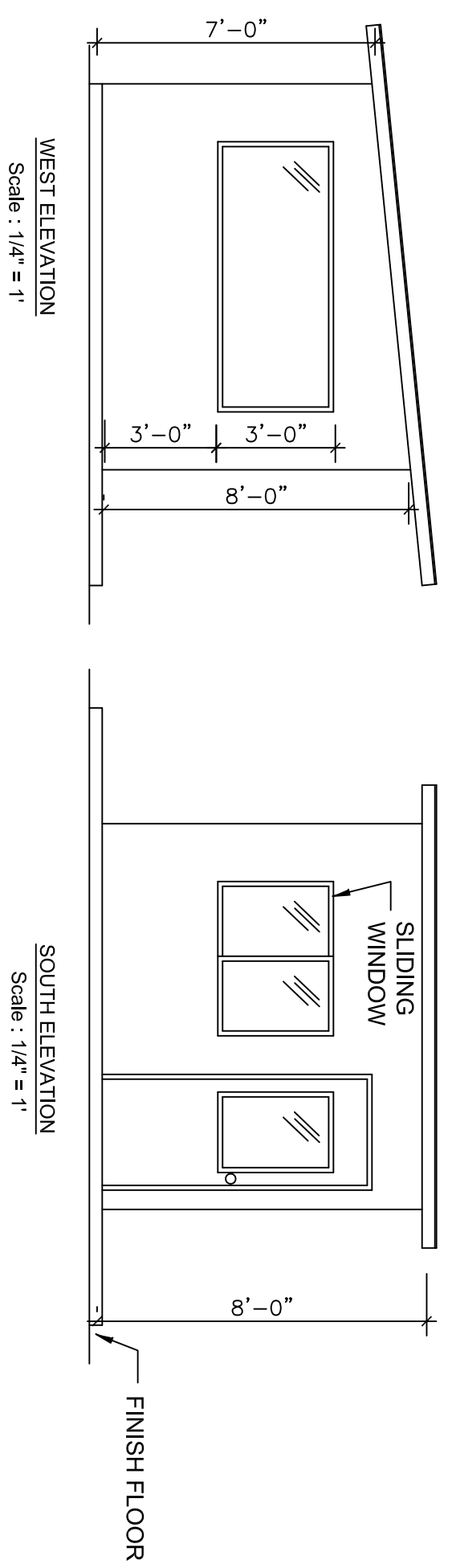
SCALE:
As Noted
24x36d

PLOT DATE:
12-25-2022

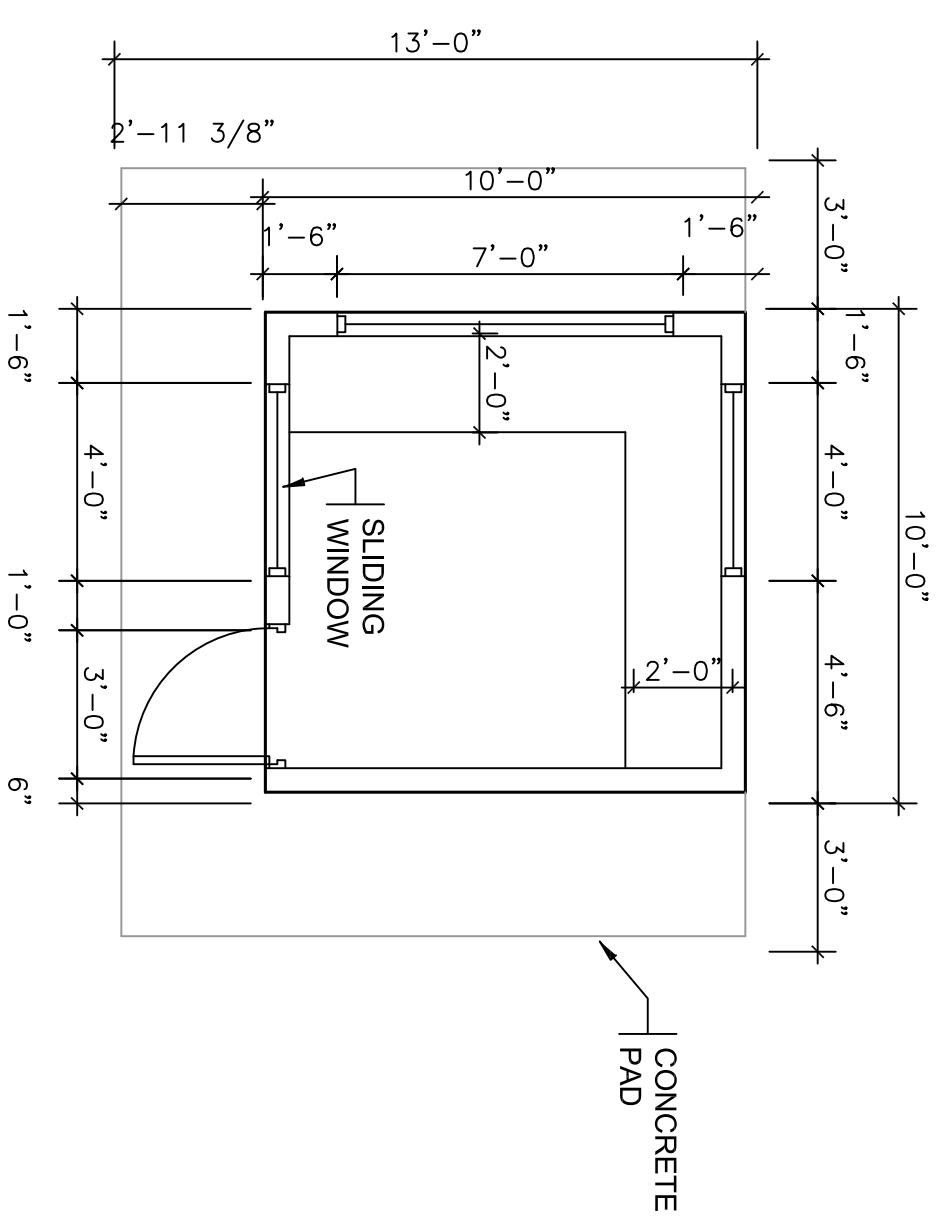
SHEET NO.:
C1



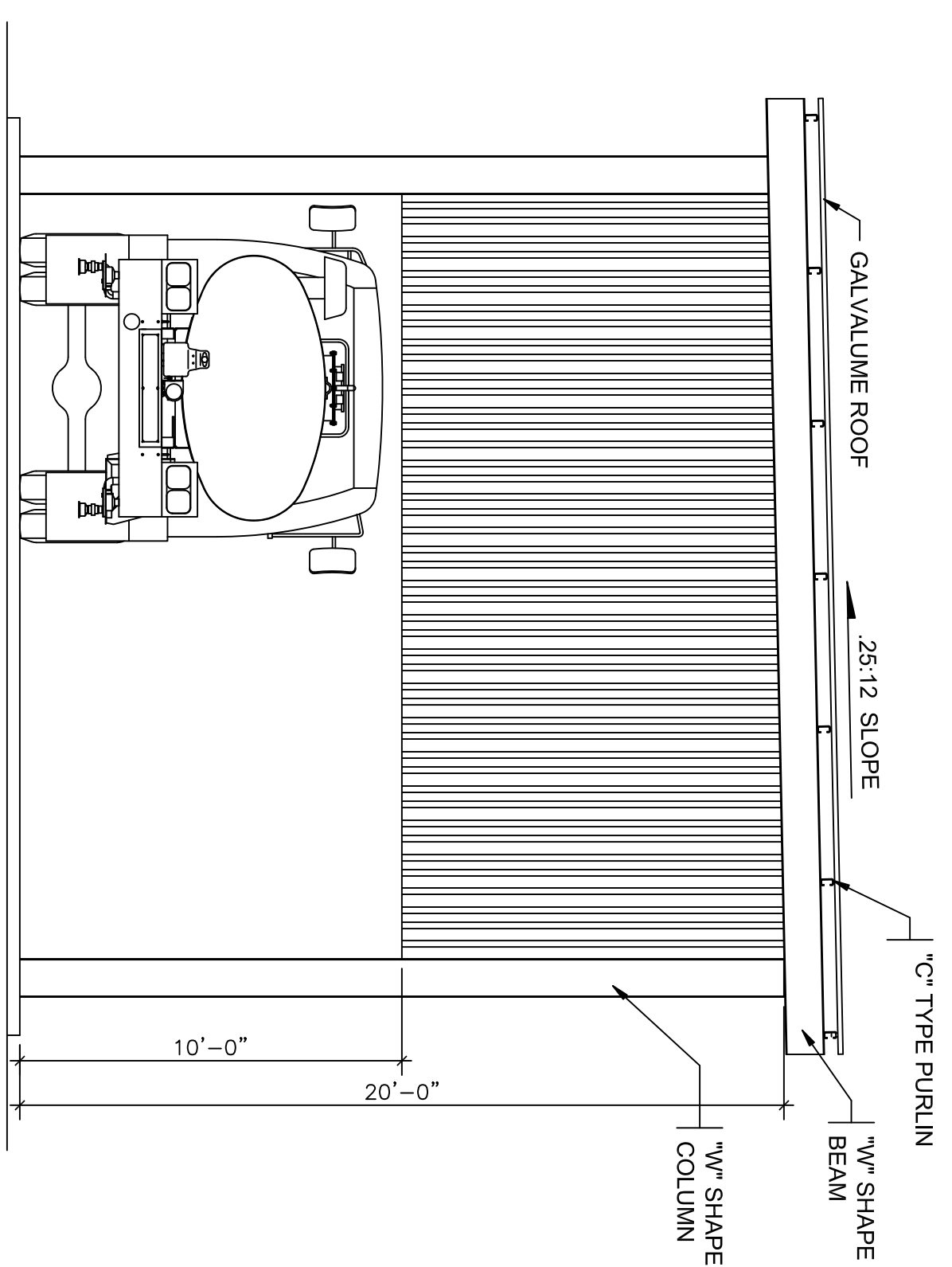
1 BOLLARD DETAIL
Scale: 3/4\"/>



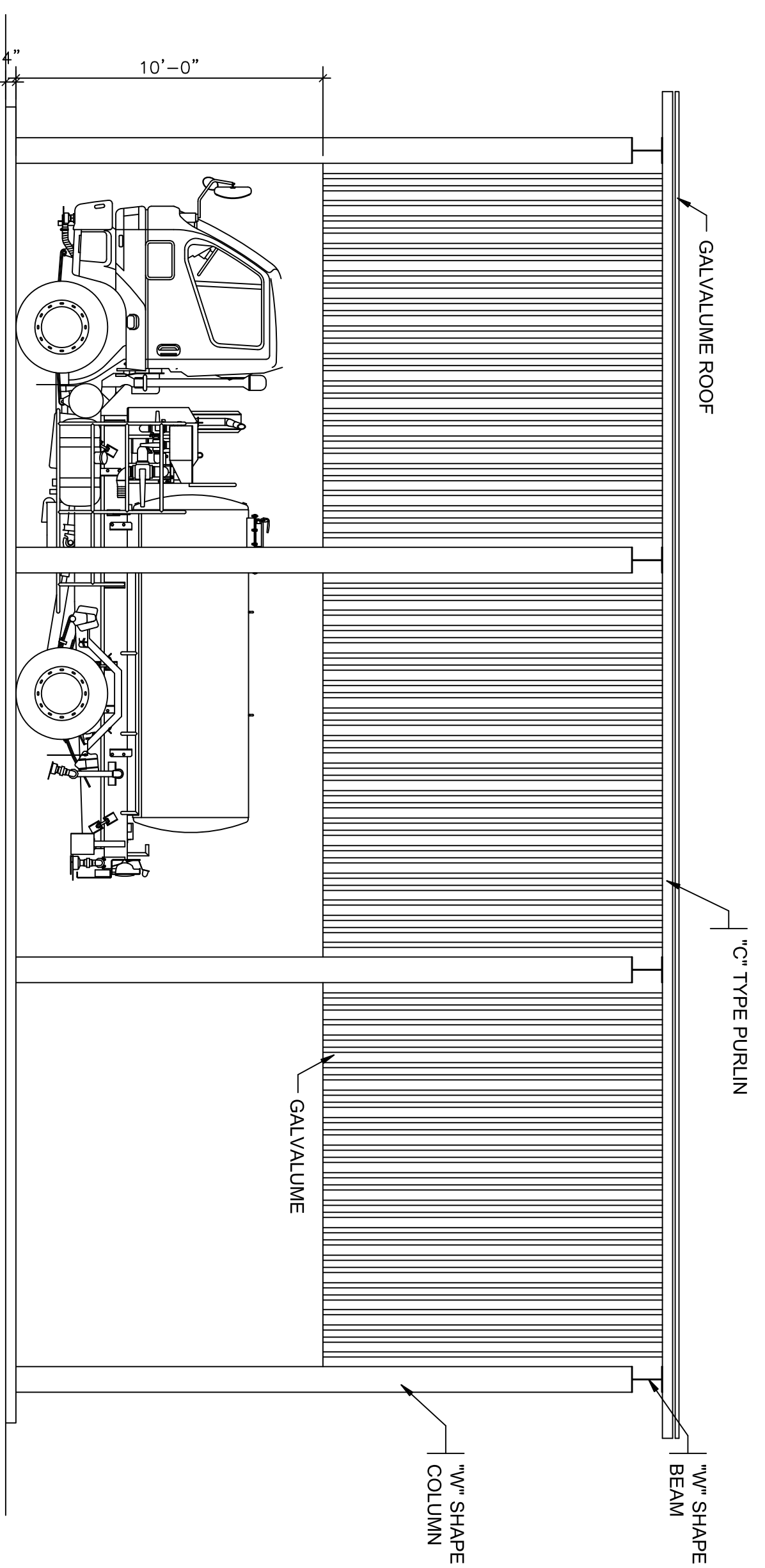
4 GUARD HOUSE
Scale: 1/4\"/>



FLOOR PLAN
Scale: 1/4\"/>

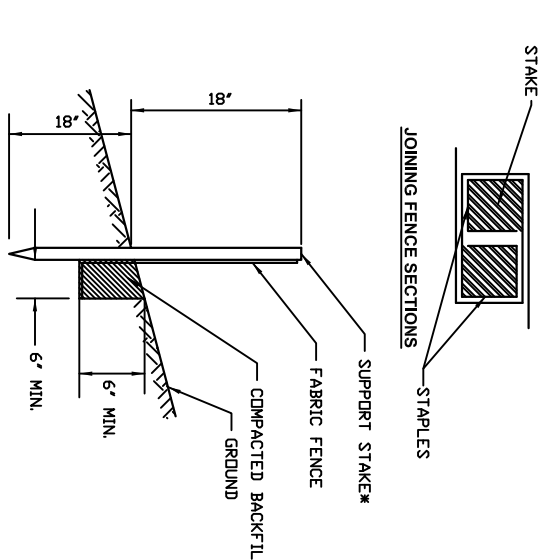


NORTH ELEVATION
Scale: 1/4\"/>



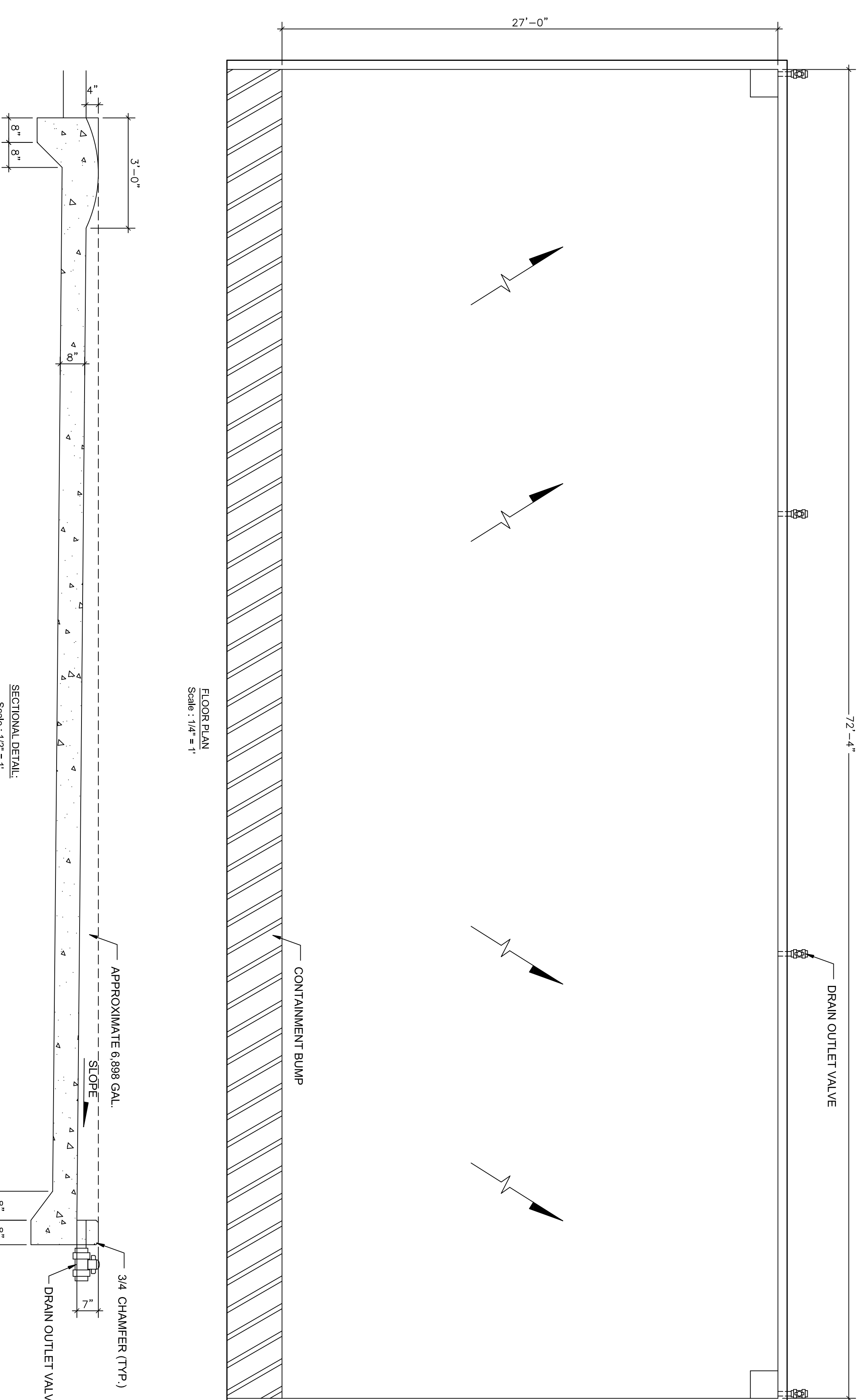
WEST ELEVATION
Scale: 1/4\"/>

2 MECHANICAL WORKSHOP ELEVATION
Scale: 1/4\"/>

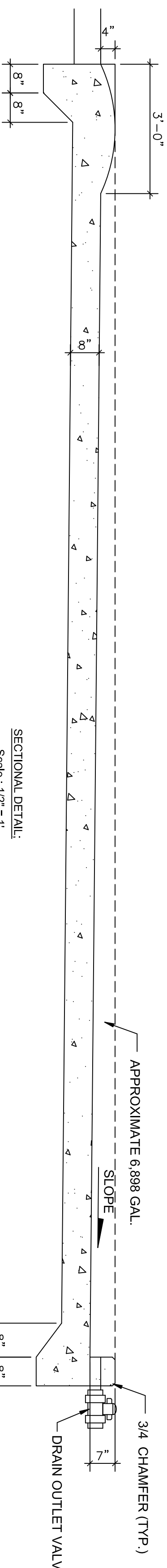


* Stakes spaced @ 8' maximum. Use 2\"/>

3 SILT FENCE DETAIL
Scale: NTS



FLOOR PLAN
Scale: 1/4\"/>



SECTIONAL DETAIL
Scale: 1/2\"/>

5 ISO TANK CONTAINMENT AREA
Scale: 1/4\"/>

NOTES:
- CAPACITY OF CONTAINMENT SHALL BE NO LESS THAN 110% OF THE COMBINED TOTAL ISO TANKS STORAGE CAPACITY

ENGINEER/DESIGNER:

C. F. ROSENBERG
7351 ESTATE BOYONI,
ST. THOMAS, VI 00802
340-779-2222
(LICENSE # 500-E)



PROJECT TITLE:
**DRY MARINA, LLC
STORAGE
FACILITY**

LOCATION:
17D-1 ESTATE BOYONI
NO.1&2 FRENCHMAN'S BAY
QUARTER
ST. THOMAS, USVI

DRAWING TITLE:
**DETAILS &
ELEVATIONS**

SCALE:
As Noted
24X36D

PLOT DATE:
12-25-2022

SHEET NO:
A1